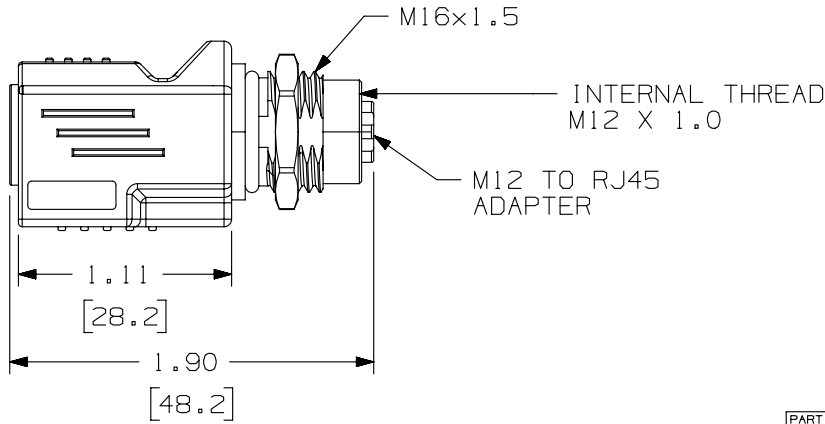
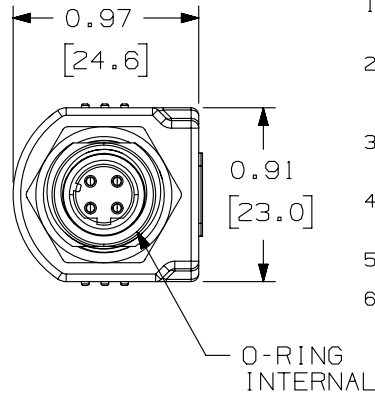
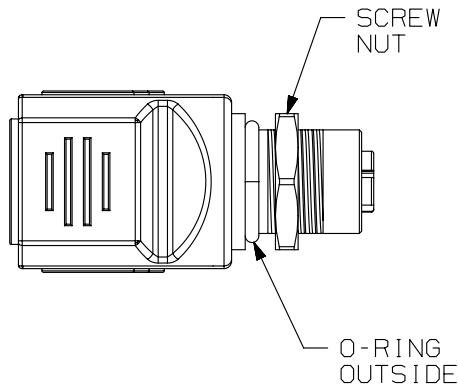
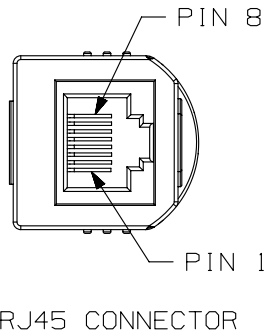


THIS COPY IS PROVIDED ON A RESTRICTED BASIS AND IS NOT TO BE USED IN ANY WAY DETRIMENTAL TO THE INTERESTS OF PANDUIT CORP.



NOTES:

1. CONSTRUCTED TO MEET THE FOLLOWING STANDARDS:
 - A. FEMALE M12 D-CODE END: IEC 61076-2-101
 - B. M12 TO RJ45: ANSI/TIA-568-C.2
2. THE TRANSMISSION PERFORMANCE IS 10/100MBIT ETHERNET ACCORDING TO IEEE 802.3
 - A. THE PRODUCT WAS TESTED ACCORDING TO ANSI/TIA-568-C.2 PERMANENT LINK, CATEGORY 5E
3. MEETS THE FOLLOWING CATEGORIES:
 - A. CATEGORY 5/CLASS D PER ISO/IEC 11801 DIN 50173-1
 - B. CATEGORY 5E PER ANSI/TIA/EIA-568-C.2
4. ELECTRICAL:
 - A. WORKING VOLTAGE: 50V
 - B. WORKING CURRENT: 1A
5. MECHANICAL:
 - A. PANEL THICKNESS: 0.197" [5.0MM] MAXIMUM
6. CONSTRUCTION:
 - A. ALL MATERIALS AND COMPONENTS USED MUST MEET THE MATERIAL RESTRICTIONS OF RoHS, (EUROPEAN DIRECTIVE 2011/65/EU ON THE RESTRICTION OF HAZARDOUS SUBSTANCES) AS PROPOSED BY THE RoHS TECHNICAL ADAPTATION COMMITTEE.
 - B. COMPONENT MATERIALS:
 1. CONNECTOR HOUSING: NYLON/GF BLACK
 2. PCB: FR4, 0.8t
 3. JACK: PBT, BLACK
 4. O-RING OUTSIDE: VITON BLACK
 5. O-RING INSIDE: VITON GREEN
 6. NUT (ZN) ALLOY, (NI) PLATED
 7. SHIELD CONTACT: (CU) ALLOY PLATED WITH (NI)
 8. CONTACTS (M12): (CU) ALLOY
 9. CONTACTS (RJ45); PHOSPHOR BRONZE
 10. CONTACT FINISH (M12): (AU) OVER (NI) PLATED
 11. CONTACT FINISH (RJ45): (AU) ON CONTACT AREA PLATED, (SN) PLATED OVER (NI) ON SOLDER AREA PLATED
7. ENVIRONMENTAL:
 - A. OPERATING TEMPERATURE; -13°F-+176°C (-25°C-+80°C)
 - B. STORAGE TEMPERATURE: -40°F-+176°F (-40°C-+80°C)
 - C. INGRESS PROTECTION RATING (IP): IP65 (PLASTIC MOLDING/IP68 (M12)
8. 0.78 LBS/10 PCS (357.00g/10 PCS)

PART NUMBER	ICAM12DRJS	PRODUCT SPEC/PKG SPEC	N/A
I.I. NUMBER	N/A	WORK INSTRUCTION	N/A

TITLE	FEMALE M12, D-CODE, 4 POSITION TO FEMALE RJ45 CATEGORY 5 SHIELDED ADAPTER		
	CUSTOMER DRAWING		
ITEM REVISION NAME	13M438AJ/00		

DATASET FILE NAME	13M438AJ_DC02/00A		
UNLESS OTHERWISE SPECIFIED, DIMENSIONAL TOLERANCES ARE: IN [mm]	MATERIAL:		

.x ± .1 [2.54]	.xxx ± .005 [0.127]	DRAWING NUMBER: 13M438AJ-02
.xx ± .01 [0.25]	ANGLES ± 5°	
THIRD ANGLE PROJECTION		

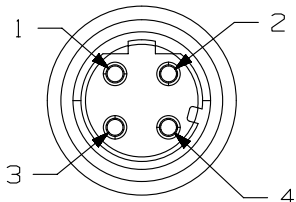
R	1-24-14	BJN	DCS	GAZ	RELEASED TO PRODUCTION	13M438AJ-02
---	---------	-----	-----	-----	------------------------	-------------

REV	DATE	BY	CHK	APR	DESCRIPTION	ECN
-----	------	----	-----	-----	-------------	-----

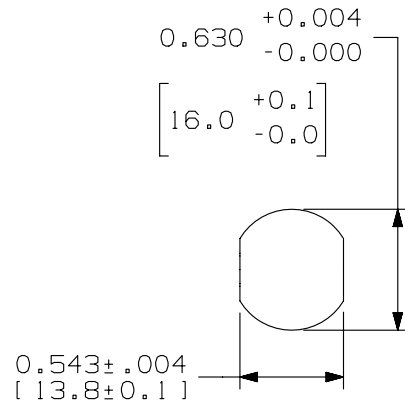
DRAWN BY	DATE	CHK	SCALE	SHT 1 OF 2	SIZE
BJN	1-24-14	DCS	1-24-14		A

D101000DA/14

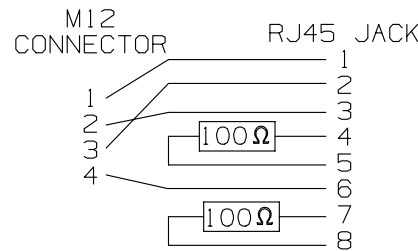
THIS COPY IS PROVIDED ON A RESTRICTED BASIS AND IS NOT TO BE USED IN ANY WAY DETRIMENTAL TO THE INTERESTS OF PANDUIT CORP.



PIN ASSIGNMENTS
FRONT VIEW



M12 RECOMMENDED
PANEL CUT-OUT



ADAPTOR SHIELDED
M12 D CODE TO RJ45

PART NUMBER	ICAM12DRJS	PRODUCT SPEC/PKG SPEC	N/A
I.I. NUMBER	N/A	WORK INSTRUCTION	N/A

TITLE	FEMALE M12, D-CODE, 4 POSITION TO FEMALE RJ45 CATEGORY 5E SHIELDED ADAPTER
CUSTOMER DRAWING	

ITEM REVISION NAME	13M438AJ/00	PANDUIT
DATASET FILE NAME	13M438AJ_DC02/00A	

UNLESS OTHERWISE SPECIFIED, DIMENSIONAL TOLERANCES ARE: IN (mm)		MATERIAL:
.x ± .1 [2.54]	.xxx ± .005 [.127]	DRAWING NUMBER: 13M438AJ-02
.xx ± .01 [.25]	ANGLES ± 5 °	
		THIRD ANGLE PROJECTION

REV	DATE	BY	CHK	APR	DESCRIPTION	ECN
R	1-24-14	BJN	DCS	GAZ	SEE SHEET 1 FOR REVISION HISTORY	13M438AJ-02

DRAWN BY	DATE	CHK	SCALE	SHT 2 OF 2	SIZE
BJN	1-24-14	DCS	FULL		A

D10100DA/14